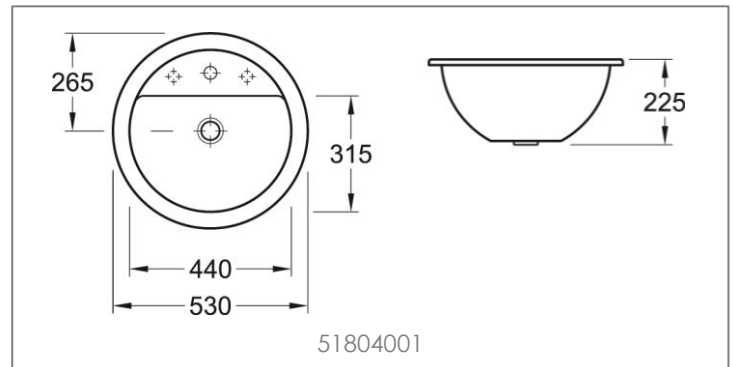
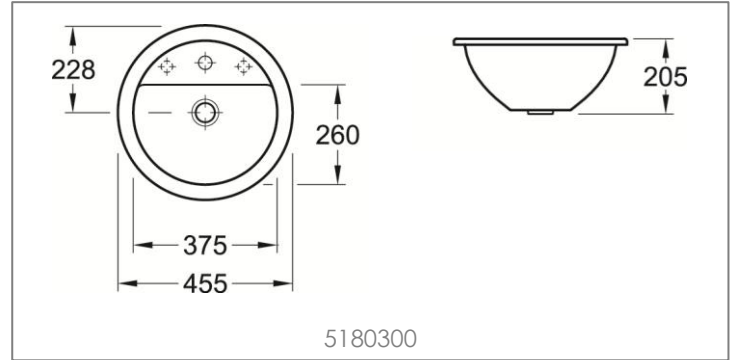


# LOOP ROUND UNDER-COUNTER BASINS with Tap Shelf

## Product Image



## Technical Specification



**Note:**  
- Tapware not included

**Installation Notes:**

- No cut-outs should be attempted in bench top without having the actual Basin/s that are going to be installed.
- Only Silicon based adhesives should be used, not epoxy resins.
- Overflow hole should be positioned closest to the front of the cabinet.

## Code/Description

Loop Round Under-Counter Basins with Tap Shelf  
OD 455mm / ID 375mm

- 51803001** 1 Taphole
- 51803001SDL** 1 Taphole with Liquid Soap Dispenser on Left-Hand Side
- 51803001SDR** 1 Taphole with Liquid Soap Dispenser on Right-Hand Side

Loop Round Under-Counter Basin with Tap Shelf  
OD 530mm / ID 440mm

- 51804001** 1 Taphole

## Additional Information

- 5 Year Warranty \*Conditions Apply
- Recommended Waste 94240

