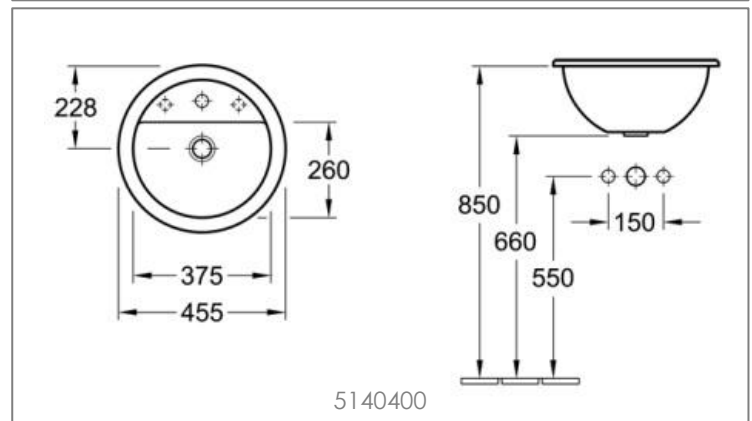
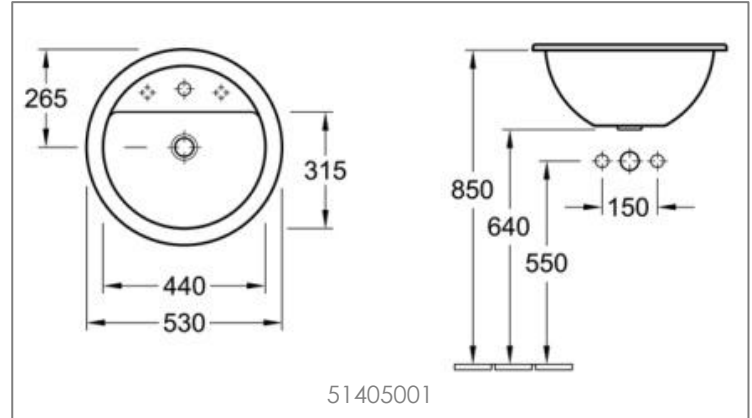


## LOOP ROUND DROP-IN BASINS with Tap Shelf

### Product Image



### Technical Specification



**Note:**

- Tapware not included

**Installation Notes:**

- No cut-outs should be attempted in bench top without having the actual Basin/s that are going to be installed.
- Only Silicon based adhesives should be used, not epoxy resins.
- Overflow hole should be positioned closest to the front of the cabinet.

### Code/Description

Loop Round Drop-In Basins with Tap Shelf  
 OD 530mm / ID 440mm  
**51405001** 1 Taphole

Loop Round Drop-In Basins with Tap Shelf  
 OD 455mm / ID 375mm  
**51404001** 1 Taphole

**51404001SDL** 1 Taphole with Liquid Soap Dispenser on Left-Hand Side

**51404001SDR** 1 Taphole with Liquid Soap Dispenser on Right-Hand Side

### Additional Information

- 5 Year Warranty \*Conditions Apply
- Recommended Waste 94240