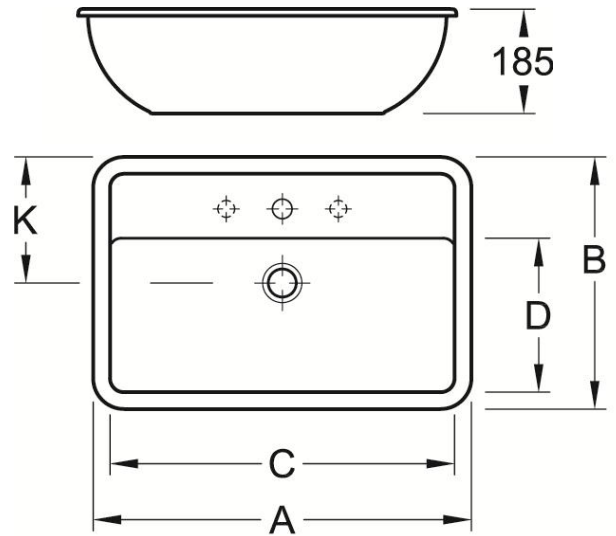


LOOP RECTANGULAR UNDER-COUNTER BASINS with Tap Shelf

Product Image



Technical Specification



Note:
- Tapware not included

	A	B	C	D	K
5163 60	675	450	615	275	225
5163 50	600	400	540	240	200

Installation Notes:

- No cut-outs should be attempted in bench top without having the actual Basin/s that are going to be installed.
- Only Silicon based adhesives should be used, not epoxy resins.
- Overflow hole should be positioned closest to the front of the cabinet.

Code/Description

Loop Rectangular Under-Counter Basins with Tap Shelf
OD 675x450mm / ID 615x390mm

51636001 1 Taphole
5163600301 3 Taphole

Loop Rectangular Under-Counter Basins with Tap Shelf
OD 600x400mm / ID 540x340mm

51635001 1 Taphole
51635001SDL 1 Taphole with Liquid Soap Dispenser on Left-Hand Side
51635001SDR 1 Taphole with Liquid Soap Dispenser on Right-Hand Side

Additional Information

- 5 Year Warranty *Conditions Apply
- Recommended Waste 94240

