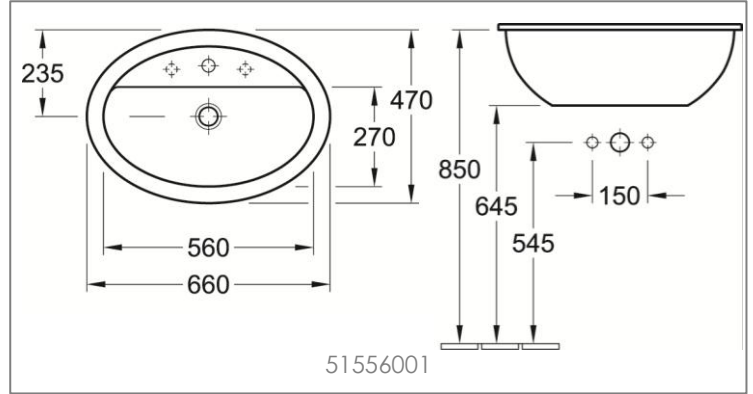
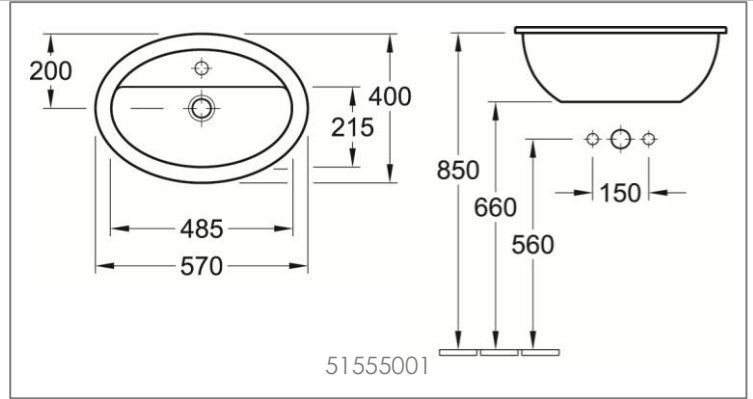


# LOOP OVAL DROP-IN BASINS with Tap Shelf

## Product Image



## Technical Specification



**Note:**  
- Tapware not included

### Installation Notes:

- No cut-outs should be attempted in bench top without having the actual Basin/s that are going to be installed.
- Only Silicon based adhesives should be used, not epoxy resins.
- Overflow hole should be positioned closest to the front of the cabinet.

## Code/Description

Loop Oval Drop-In Basins with Tap Shelf  
OD 570x400mm / ID 485x315mm

- 51555001** 1 Taphole
- 51555001SDL** 1 Taphole with Liquid Soap Dispenser on Left-Hand Side
- 51555001SDR** 1 Taphole with Liquid Soap Dispenser on Right-Hand Side

Loop Oval Drop-In Basins with Tap Shelf  
OD 660x470mm / ID 560x370mm

- 51556001** 1 Taphole

## Additional Information

- 5 Year Warranty \*Conditions Apply
- Recommended Waste 94240

